

Features

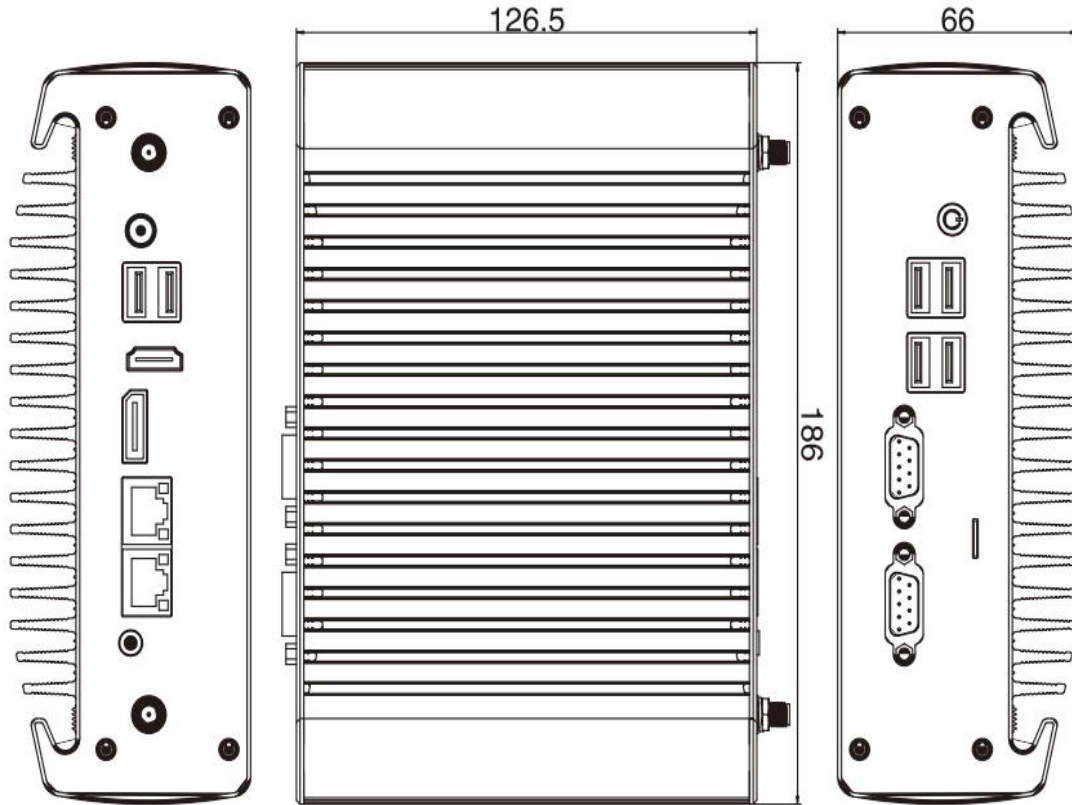
- 1. All aluminum alloy structure, no fan design
- 2. Support 1xM.2 2280 slot, 1x2.5-inch hard disk slot
- 3. Support 6xUSB (2xUSB3.0 for optional)
- 4. Support Windows 7/8/10, WES, Linux, Ubuntu, Debian, etc.
- 5. High performance mainboard, 7x24 continuous operation

Specification

Mainboard	CPU	Intel Core i5 8250U / Intel Core i7 8550U
	RAM	4GB/8GB/16GB
	SSD	32GB/64GB/128GB/256GB/512GB/1T
Power Supply	Working voltage	DC12V (9V-36V wide voltage Optional)
Enclosure	Material	Aluminum Alloy
	Color	Black
	VESA mounting	75x75mm
	IP grade	/
Environment	Temperature	Operating: -20°C~+50°C; Storage: -30~+70°C
	Relative humidity	10%~90% @ 30° C, non-condensing
Dimension	Net weight	1.3KG
	Gross weight	2KG
	Product size	186*126.5*66mm
	Packing size	26x21x18cm 2pcs
I/O Interfaces	4xUSB2.0, 2xUSB3.0, 2xCOM, 2xRJ45, 1xDP, 1xHDMI, 1xAudio, 1xPOWER DC12V, 1xWIFI, 1xOn/Off	
Optional	USBx2	
	COMx2	
	1xMini-PCIE (supports WIFI / bluetooth)	
OS	Support Windows 7/8/10, WES, Linux, Ubuntu, Debian, etc.	
Mountings	Wall mounting bracket	
	Desk stand holder / Rail type (optional)	
Warranty	1-year free warranty	



Drawing



Accessories

- 1x BOX PC
- 1x Wall Charger

Configuration

CPU available

Intel® Core I7-8250U, dual core, 3.4Ghz, fanless
--

Intel® Core I7-8550U, dual core, 4.0Ghz, fanless
--