

Features

- 1. Cordless mainboard design, industrial high-end configuration.
- 2. Rubber ring design on the backside for perfectly embedded mounting.
- 3. Dust-proof, front IP65 waterproof, and shock-proof.
- 4. 9V-36V wide voltage, 6xCOM optional, 3 Pin Phoenix terminal.
- 5. Aluminum alloy shell, fanless design, 7x24 continuous operation.

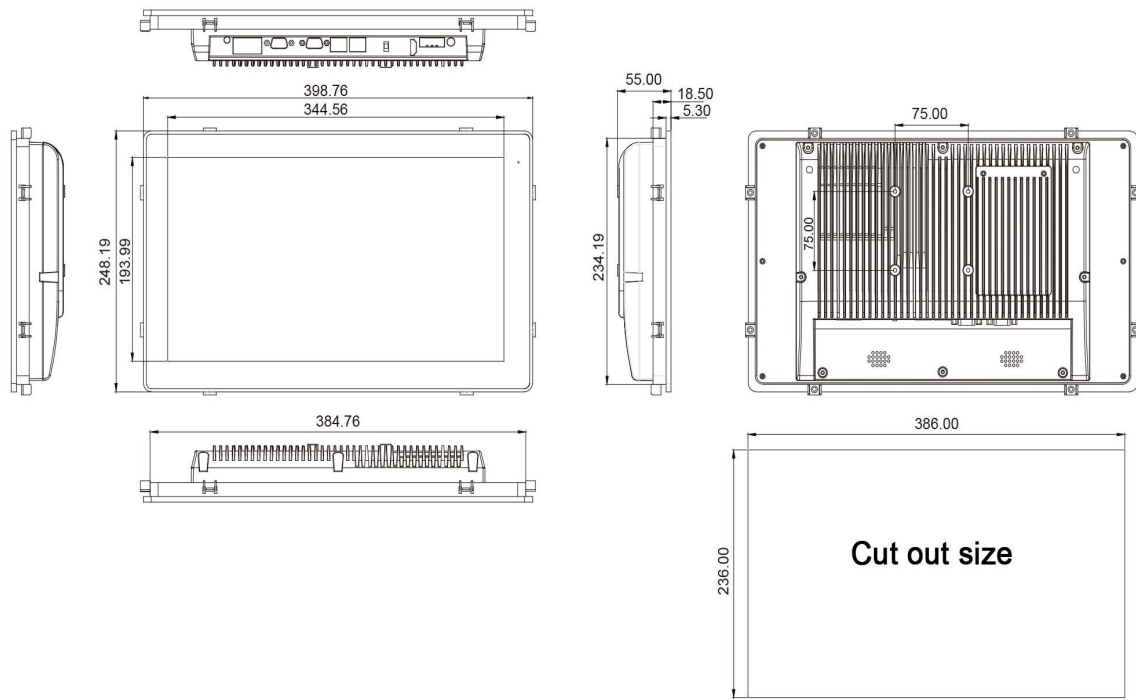
Specification

Mainboard	CPU	Intel® Celeron J1900, quad core, 2.0GHz, fanless
	RAM	2GB/4GB
	SSD	32GB/64GB/128GB/256GB
Screen	Panel size	15.6-inch
	Resolution	1920*1080 16:9
	Brightness	400nits (cd/m ²)
	Touchscreen	10 points Capacitive Touch 5 wires Resistive Touch Optional
Power Supply	Working voltage	9V-36V wide voltage

Enclosure	Material	Aluminum Alloy
	Color	Grey
	VESA mounting	75x75mm
	IP grade	Front panel IP65 waterproof
Environment	Temperature	Operating: -20 to 60°C, storage: -30 to 70°C
	Relative humidity	10%~90% @ 30° C, non-condensing
Dimension	Net weight	5kg
	Gross weight	6.5kg
	Product size	39.876x24.819x5.5cm
	Packing size	45*16*39cm

I/O Interfaces	3xUSB 2.0, 1xUSB 2.0, 1x built in USB SoftDog
	2x DB-9 COM1& COM2, RS232/422/485
	2x 3 wire COM3 & COM4 RS232/485 Phoenix terminal
	2x 3 wire COM5 & COM6 RS232
	1xPhoenix terminal remote switch interface
	1x AT/ATX switch, 2x LAN
	1x HDMI/Audio Line-out/ Power Button
	1x 14 bit GPIO, 2x 8Ω 1W Amplifier out, 1x WIFI optional
Expansion Slot	MINI-PCIE x 1, on board SIM card slot, support 3G/4G module
	MINI-PCIE x 1, support WIFI/ Bluetooth
Watchdog timer	1~255 second Programmable Setting
OS	Support Windows 7/8/10, WES, Linux, Ubuntu, Debian, etc.
Mountings	Embedded mounting screws
	Wall mounting brackets; Desk stand holder (optional)
Warranty	2-year free warranty

Drawing



Sizes

8"	10.1"	12.1"	13.3"	15" 15.6"	17"	19"	21.5"
1024*768	1280*800	1024*768	1920*1080	1024*768 / 1920*1080	1280*1024	1280*1024	1920*1080
4:3	16:10	4:3	16:9	4:3 16:9	4:3	4:3	16:9

Configuration

CPU available

Intel® Celeron J1900, quad core, 2.0GHz, fanless
Intel® Core I5-4200U, dual core, 1.6Ghz, fanless
Intel® Core I5-5200U, dual core, 2.2Ghz, fanless
Intel® Core I5-6200U, dual core, 2.3Ghz, fanless
Intel® Core I5-7200U, dual core, 2.5Ghz, fanless
Intel® Core I7-4500U, dual core, 1.8Ghz, fanless
Intel® Core I7-6500U, dual core, 2.5Ghz, fanless
Intel® Core I7-7500U, dual core, 2.7Ghz, fanless

Accessories

- 1x Panel PC
- 1x Power adapter
- 1x Power cord
- 1x Embedded screws
- 1x 2.5-inch hard drive holder
- 1x Phoenix terminal
- 1x Hard driver DISK