



Features

- 1. NEMA4/IP67 waterproof and dustproof design, all interfaces with CNLINKO connectors
- 2. Aluminum Alloy enclosure, more resistant to corrosion, shock and vibration
- 3. Adopting EETI solution, capacitive touch + industrial-grade, high-performance
- 4. DC 12V power supply (DC24V, 9-36V Optional), support power-on boot, 7x24hours
- 5. High brightness 1000nits sunlight-readable for outdoor application

Specification

Screen	LCD Panel	Panel size	21.5"
		Resolution	1920*1080 16:9
		Brightness (cd/m ²)	1000nits, sunlight-readable
		Contrast ratio	800:1 (Typ.)
		View Angle	80°/80°/80°/65° (R/L/U/D)
	Touch	Touch Type	10 points Capacitive Touch
		Touch Optional	5 wires Resistive Touch
		Surface Hardness	≥7H
		Touch Interface	USB
		Working Life	≥50 million times
	Brightness (cd/m ²)	1500nits/2000nits Optional	
	Surface Hardness	AR Coating	

Environment	Temperature	Operating: -20 to 70°C, storage: -20 to 80°C
	Humidity	10%~90% @ 30°C, non-condensing

I/O Interfaces	1xHDMI, 1xUSB, 1xDC, 1xVGA
Power Supply	DC12V (DC 24v, 9-36v Optional)

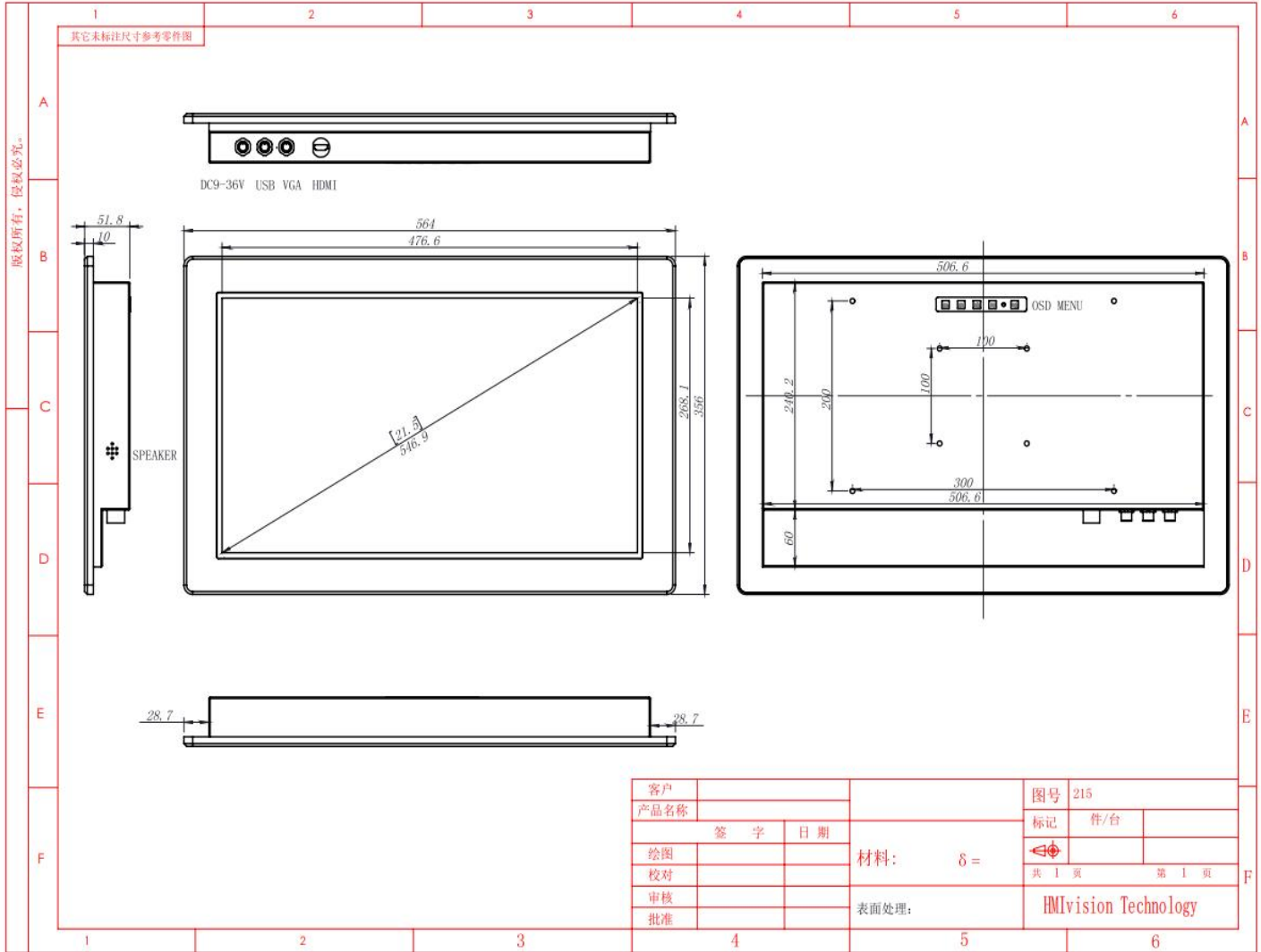
Enclosure	Material	Aluminum Alloy
	Color	Black
	VESA	75mm*75mm/100mm*100mm
	IP grade	FULL IP67 Waterproof
Dimension	Net weight	9kg
	Gross weight	10.95kg
	Product size	564x356x51.8mm
	Packing size	660x460x180mm

Packaging	1xMonitor, 1xDC Power Cable, 1xAdaptor, 1xUSB Cable, 1xHDMI, 1xVGA
OS	Support Windows 7/8/10, WES, Linux, Ubuntu, Debian, Android, etc.
Mountings	Desk stand holder
	Wall mounting brackets, Embedded mounting screws (optional)
Warranty	1-year free warranty

Sizes Optional

7" 8"	10.1"	12.1"	13.3"	15" 15.6"	17"	19"	21.5"
1024*600 1024*768	1280*800	1024*768 1280*800	1920*1080	1024*768 /1920*1080	1280*1024	1280*1024	1920*1080
4:3	16:10	4:3	16:9	4:3 16:9	4:3	4:3	16:9

Drawing



Accessories

- 1x Monitor
- 1x USB
- 1x HDMI
- 1x VGA
- 1x Power cable
- 1x Adaptor