



## Features

- 1. 350nits for indoor application.
- 2. Adopting [EETI solution](#), [capacitive touch](#), industrial-grade, high-performance.
- 3. Dust-proof, front IP65 waterproof, and shock-proof.
- 4. DC 12V power supply (DC24V, 9-36V Optional), support power-on boot, 7x24hours.
- 5. Fanless aluminum alloy shell, sturdy and durable with efficient heat dissipation system.

## Specification

Mainboard	CPU	<a href="#">RK3288 Cortex-A17 quad core,1.8GHz, fanless</a>
	RAM	<a href="#">2GB/4GB</a>
	SSD	<a href="#">16G/32GB/64GB</a>

Screen	Panel size	<a href="#">10.1"</a>	
	Resolution	<a href="#">1280*800 16:10</a>	
	Brightness	<a href="#">350nits (cd/m²)</a>	
	Touchscreen	<a href="#">10 points Capacitive Touch</a>	
		5 wires Resistive Touch Optional	
	Surface Hardness	G+G Glass, ≥7H	
	Touch Interface	USB	
Working Life	≥50 million times		

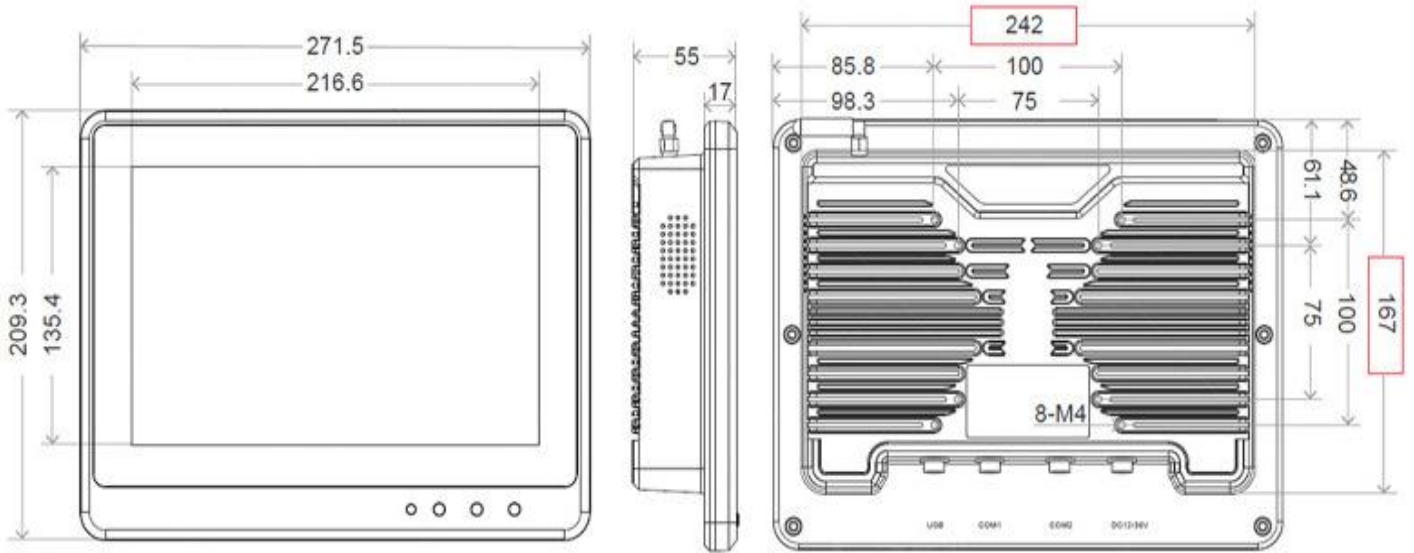
Power Supply	Working voltage	<a href="#">DC12V</a> (DC24V, 9V-36V Optional)
--------------	-----------------	--

Enclosure	Material	Aluminum Alloy
	Color	Black
	VESA mounting	75x75mm/100*100mm
	IP grade	<a href="#">Front panel IP65 waterproof</a>
Environment	Temperature	Operating: -10 to 60°C, storage: -20 to 70°C
	Relative humidity	10%~90% @ 30° C, non-condensing
Dimension	Net weight	/
	Gross weight	/
	Product size	242*167*55mm
	Packing size	/

I/O Interfaces	<a href="#">Aviation Connectors: 1×USB, 2×COM, 1×DC, 1×WIFI, 2×Speakers</a>
OS	<a href="#">Support Android, Linux, Ubuntu, Debian, etc.</a>
Mountings	Embedded mounting screws
	Wall mounting brackets; Desk stand holder (optional)
Warranty	<a href="#">1-year free warranty</a>

## Drawing

10.1-inch 1280\*800 16:10



## Sizes

7" 8"	10.1" 10.4"	12.1"	13.3"	15"   15.6"	17" 17.3" 18.5"	19"	21.5" 23.6" 24" 27"
1024*600 1024*768	1280*800 1024*768	1280*800 1024*768	1280*800 1024*768	1920*1080	1024*768 /1920*1080	1280*1024 1920*1080	1280*1024 1440*900
16:9 4:3	16:10 4:3	16:10 4:3	16:9	4:3   16:9	4:3 16:9	4:3 16:10	16:9

## Configuration

CPU available

RK3288 Cortex-A17 quad core,1.8GHz, fanless

RK3399 Dual Cortex-A72+Quad Cortex-A53, 2.0GHz, fanless

## Accessories

- 1x Panel PC
- 1x Power adapter
- 1x Power plug
- 1x Embedded screws