



Features

- 1. **1000nits for outdoor application.** (400nits for indoor Optional)
- 2. Adopting **EETI solution, 10 Points Capacitive Touch**, industrial-grade, high-performance.
- 3. Dust-proof, **Full IP67 waterproof**, and shock-proof.
- 4. DC12V power supply (DC24V, 9-36V Optional), support power-on boot, 7x24hours.
- 5. Fanless aluminum alloy shell, sturdy and durable with efficient heat dissipation system.

Specification

Mainboard	CPU	RK3288 / RK3399
	RAM	2GB/4GB
	SSD	8G/16G/32GB
	OS	Android 6.0, 7.1, 8.0, 9.0

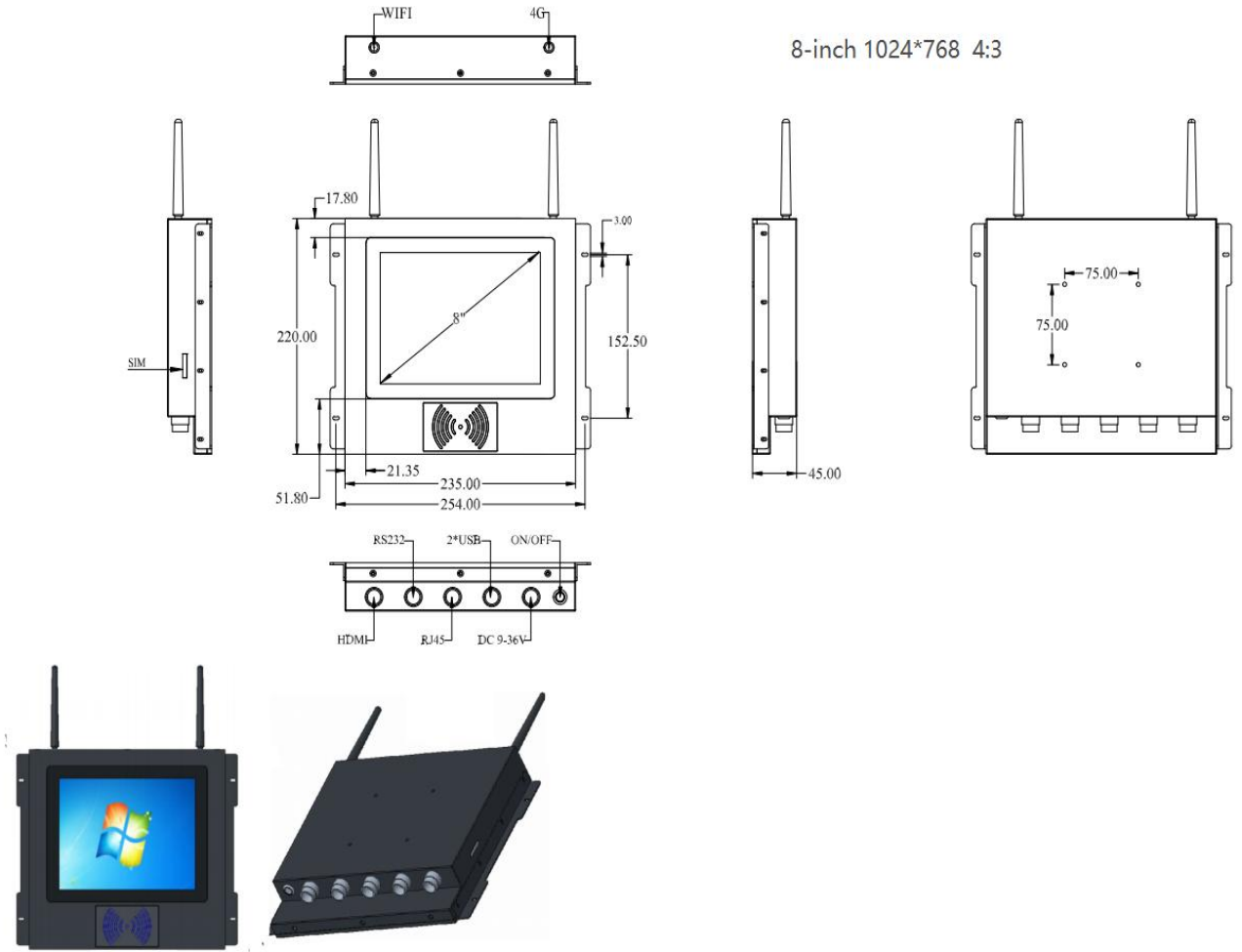
Screen	Panel size	8"	
	Resolution	1024*768 4:3	
	Brightness	1000nits (cd/m ²) sunlight-readable, (400nits Optional)	
	Touchscreen	10 points Capacitive Touch + Optical Bonding	
		4 wires Resistive Touch Optional	
	Surface Hardness	≥3H	
	Touch Interface	USB	
	Working Life	≥50 million times	
	Dimmer	Auto-dimming with light sensor (Optional)	
Surface Treatment	Anti-glare Glass (Optional)		

Power Supply	Working voltage	DC12V (DC24V, 9V-36V Optional)
--------------	-----------------	--------------------------------

Enclosure	Material	Aluminum Alloy
	Color	Black
	VESA mounting	75x75mm
	IP grade	Full IP67 waterproof
Environment	Temperature	Operating: -20°C to 70°C, storage: -30 to 70°C
	Relative humidity	10%~90% @ 30°C, non-condensing
Dimension	Net weight	2.5kg
	Gross weight	4.2kg
	Product size	254*220*45mm
	Packing size	370*320*170mm

I/O Interfaces	2×USB, 1×COM, 1×RJ45 (POE Optional), 1×HDMI, 1×DC 1×TF Slot 1×Audio, 1×WIFI 2.4G, 1×Bluetooth 4.0
Customization	NFC module 3G/4G Module
OS	Support Android, Linux, Ubuntu, Debian, etc.
Mountings	Embedded mounting screws
	Wall mounting brackets; Desk stand holder (optional)
Warranty	1-year free warranty

Drawing



Sizes

7" 8"	10.1" 10.4"	12.1"	13.3"	15" 15.6"	17" 17.3" 18.5"	19"	21.5" 23.6" 24" 27"
1024*600 1024*768	1280*800 1024*768	800*800 1024*768	1920*1080	1024*768 /1920*1080	1280*1024 1920*1080	1280*1024 1440*900	1920*1080
16:9 4:3	16:10 4:3	16:10 4:3	16:9	4:3 16:9	4:3 16:9	4:3 16:10	16:9

Configuration

CPU available

RK3288 Cortex-A17 quad core,1.8GHz, fanless

RK3399 Dual Cortex-A72+Quad Cortex-A53, 2.0GHz, fanless

Accessories

- 1x Panel PC
- 1x Power adapter
- 1x Power plug
- 1x All Waterproof cables
- 1x POE Adaptor