



Features

- 1. NEMA4/IP65 **waterproof and dustproof design**, all interfaces with CNLINKO connect
- 2. SUS304 **stainless steel enclosure**, more resistant to corrosion, shock and vibration
- 3. Adopting **EETI solution** capacitive touch **5mm tempered glass, anti-explosion**
- 4. DC 12V power supply (DC24V, 9-36V Optional), support power-on boot, 7x24hours
- 5. **1000nits brightness** for outdoor application, 400nits optional for indoor

Specification

Screen	LCD Panel	Panel size	21.5"
		Resolution	1920*1080 16:9
		Brightness (cd/m ²)	1000nits (350nits Optional for Outdoor)
		Contrast ratio	1000:1 (Typ.)
		View Angle	85°/85°/80°/80° (R/L/U/D)
	Touch	Surface Treatment	Anti-glare Glass (Optional)
		Light Sensor	for Auto-dimming (Optional)
		Touch Type	10 Points Capacitive Touch
		Touch Optional	Resistive or No Touch
		Surface Hardness	ITO Glass, ≥3H or 7H
		Touch Interface	USB
		Working Life	≥50 million times
		Glass Treatment	Optical bonding
		Glass Thickness	5mm Tempered Glass, Anti-explosion

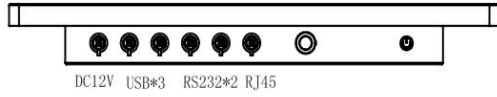
Environment	Temperature	Operating: -10 to 60°C, storage: -20 to 70°C
	Humidity	10%~90% @ 30°C, non-condensing

I/O Interfaces	1xVGA, 1xHDMI, 1xDC12V, 1xUSB
Power Supply	DC12V (DC 24v, 9-36v Optional)

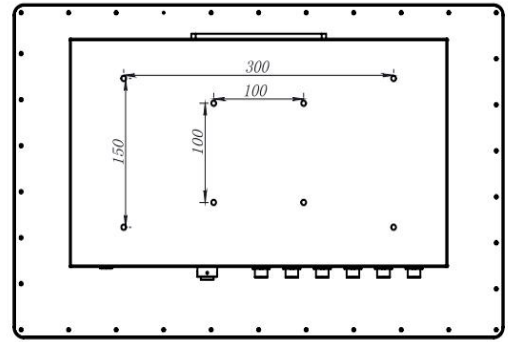
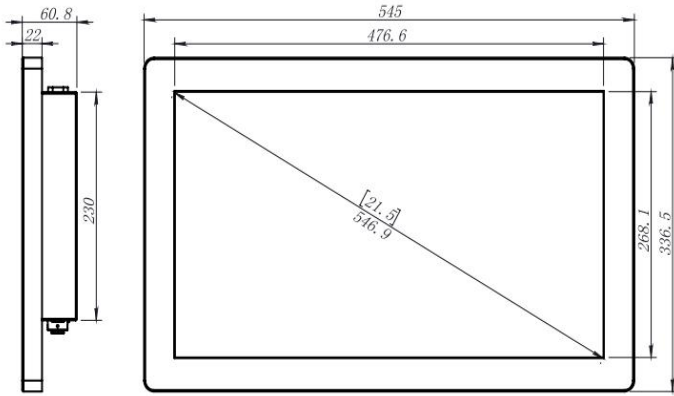
Enclosure	Material	Stainless Steel
	Color	Stainless Steel or Black Coating
	VESA	100x100mm/100x200mm
	IP grade	FULL IP67 Waterproof
Dimension	Net weight	9.5kg
	Gross weight	11.3kg
	Product size	545x336.5x60.8mm
	Packing size	650x425x180mm

Packaging	1xMonitor, 1xDC Power Cable, 1xAdaptor, 1xUSB Cable, 1xVGA cable, 1xBl
OS	Support Windows 7/8/10, WES, Linux, Ubuntu, Debian, Android, etc.
Mountings	Embedded mounting screws
	Wall mounting brackets, Desk stand holder (optional)
Warranty	1-year free warranty

Drawing



21.5-inch
1920*1080 16:9



Sizes

8"	10.1"	12.1"	13.3"	15"	15.6"	17"	21.5"
1024*768	1280*800	1024*768	1920*1080	1024*768	1920*1080	1280*1024	1920*1080
4:3	16:10	4:3	16:9	4:3	16:9	4:3	16:9

Accessories

- 1x Monitor
- 1x Power adapter
- 1x Power cord
- 1x All Waterproof Cables