



Features

- 1. **1000nits** for outdoor application. (400nits Optional)
- 2. Adopting **EETI solution, capacitive touch**, industrial-grade, high-performance.
- 3. Dust-proof, **FULL IP67 waterproof with M12 Connectors**, and shock-proof.
- 4. DC12V power supply (DC24V, 9-36V Optional), support power-on boot, 7x24hours.
- 5. Fanless aluminum alloy shell with efficient heat dissipation system

Specification

Mainboard	CPU	RK3288 Cortex-A17 quad core,1.8GHz, fanless
	RAM	2GB/4GB/8GB
	SSD	8G/16G/32GB/64GB

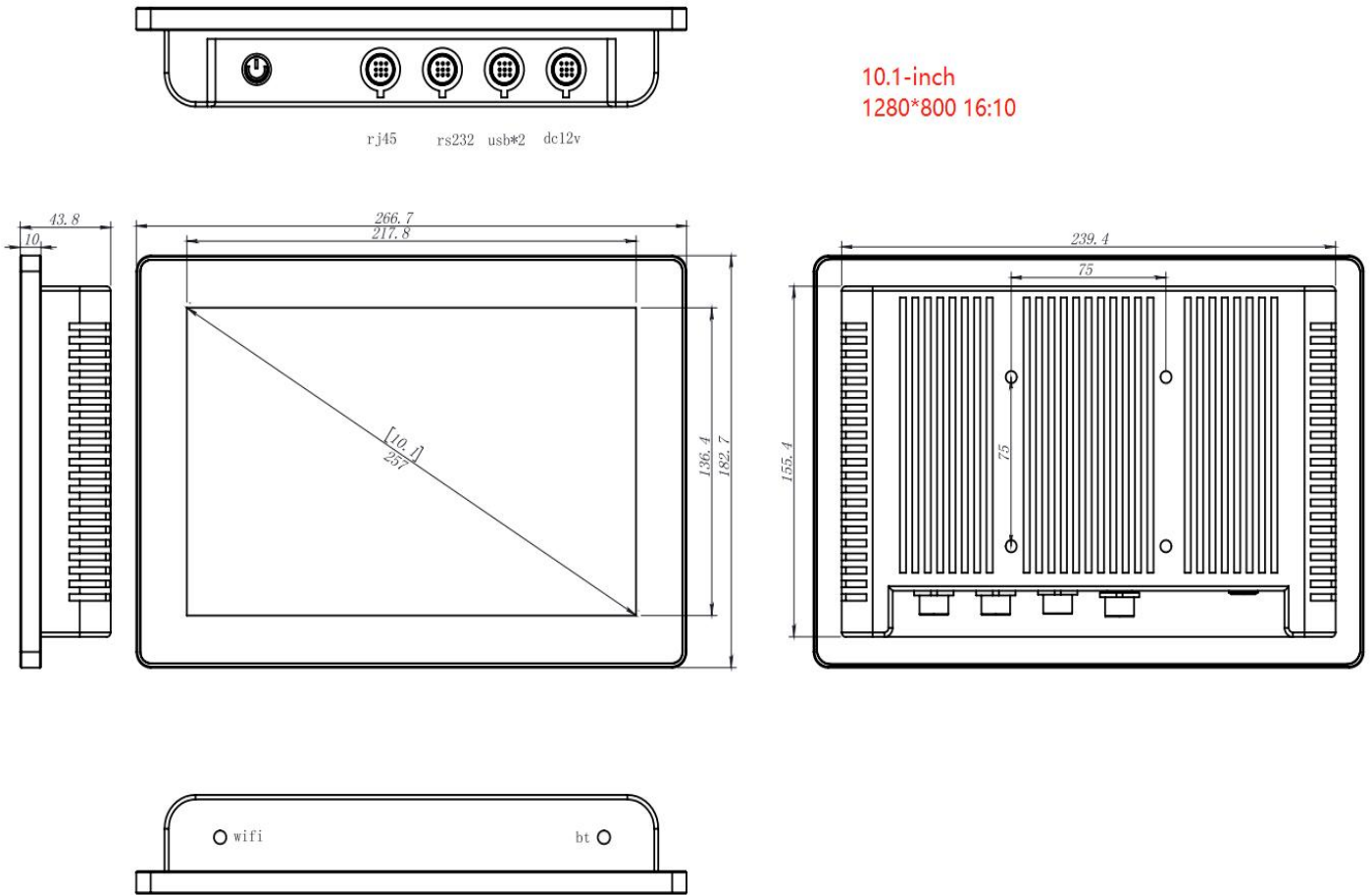
Screen	Panel size	10.1"	
	Resolution	1280*800 16:10	
	Brightness	1000nits (cd/m ²) sunlight-readable , (400nits Optional)	
	Touchscreen	10 points Capacitive Touch	
		5 wires Resistive Touch Optional	
	Surface Hardness	G+G Glass, ≥7H	
	Touch Interface	USB	
	Working Life	≥50 million times	
	Dimmer	Auto-dimming with light sensor (Optional)	
	Surface Treatment	AG Anti-glare/AF/AR (Optional)	
Glass Treatment	Optical Bonding for PCAP Touch (Optional)		
Brightness	1500nits (Optional)		

Power Supply	Working voltage	DC12V (DC24V, 9V-36V Optional)
--------------	-----------------	---------------------------------------

Enclosure	Material	Aluminum Alloy
	Color	Black
	VESA mounting	75x75mm/100x100mm
	IP grade	FULL IP67 waterproof
Environment	Temperature	Operating: -20°C to 70°C , storage: -30 to 70°C
	Relative humidity	10%~90% @ 30° C, non-condensing
Dimension	Net weight	2kg
	Gross weight	3.1kg
	Product size	266.7x182.7x43.8mm
	Packing size	390*360*120mm

I/O Interfaces	2×USB, 1×COM, 1×RJ45, 1×DC, 1xWIFI, 1xBluetooth
OS	Support Android, Linux, Ubuntu, Debian, etc.
Mountings	VESA mounting
	Wall mounting brackets; Desk stand holder (optional)
Warranty	1-year free warranty

Drawing



Sizes

7" 8"	10.1" 10.4"	12.1"	13.3"	15" 15.6"	17" 17.3" 18.5"	19"	21.5" 23.6" 24" 27"
1024*600 1024*768	1280*800 1024*768	800*800 1024*768	1920*1080	1024*768 / 1920*1080	1280*1024 1920*1080	1280*1024 1440*900	1920*1080
16:9 4:3	16:10 4:3	16:10 4:3	16:9	4:3 16:9	4:3 16:9	4:3 16:10	16:9

Configuration

CPU available

RK3288 Cortex-A17 quad core, 1.8GHz, fanless

RK3399 Dual Cortex-A72+Quad Cortex-A53, 2.0GHz, fanless

RK3568 Quad-core Cortex-A55 up to 2.0GHz, fanless

Accessories

1x Panel PC

1x Power adapter

1x Power plug

1x All Waterproof Cables