

Features

- 1. Cordless mainboard design, better heat dissipation, industrial high-end configuration.
- 2. Rubber ring design on the backside for perfectly embedded mounting waterproof.
- 3. Dust-proof, front IP65 waterproof, and shock-proof.
- 4. 9V-36V wide voltage, 6xCOM optional, 6xUSB, 4xLAN, Aluminum alloy shell, fanless.
- 5. Support 5G communication, Operation system support Windows 10/11.

Specification

Mainboard	CPU	Intel® Celeron J4125, quad core, 2.0GHz, fanless
	RAM	4GB/8GB/16GB
	SSD	64GB/128GB/256GB/512GB
Screen	Panel size	10.1-inch
	Resolution	1280*800
	Brightness	400nits (cd/m ²)
	Touchscreen	10 points Capacitive Touch 5 wires Resistive Touch Optional
Power Supply	Working voltage	9V-36V wide voltage

Enclosure	Material	Aluminum Alloy
	Color	Grey
	VESA mounting	75x75mm/100x100mm
	IP grade	Front panel IP65 waterproof

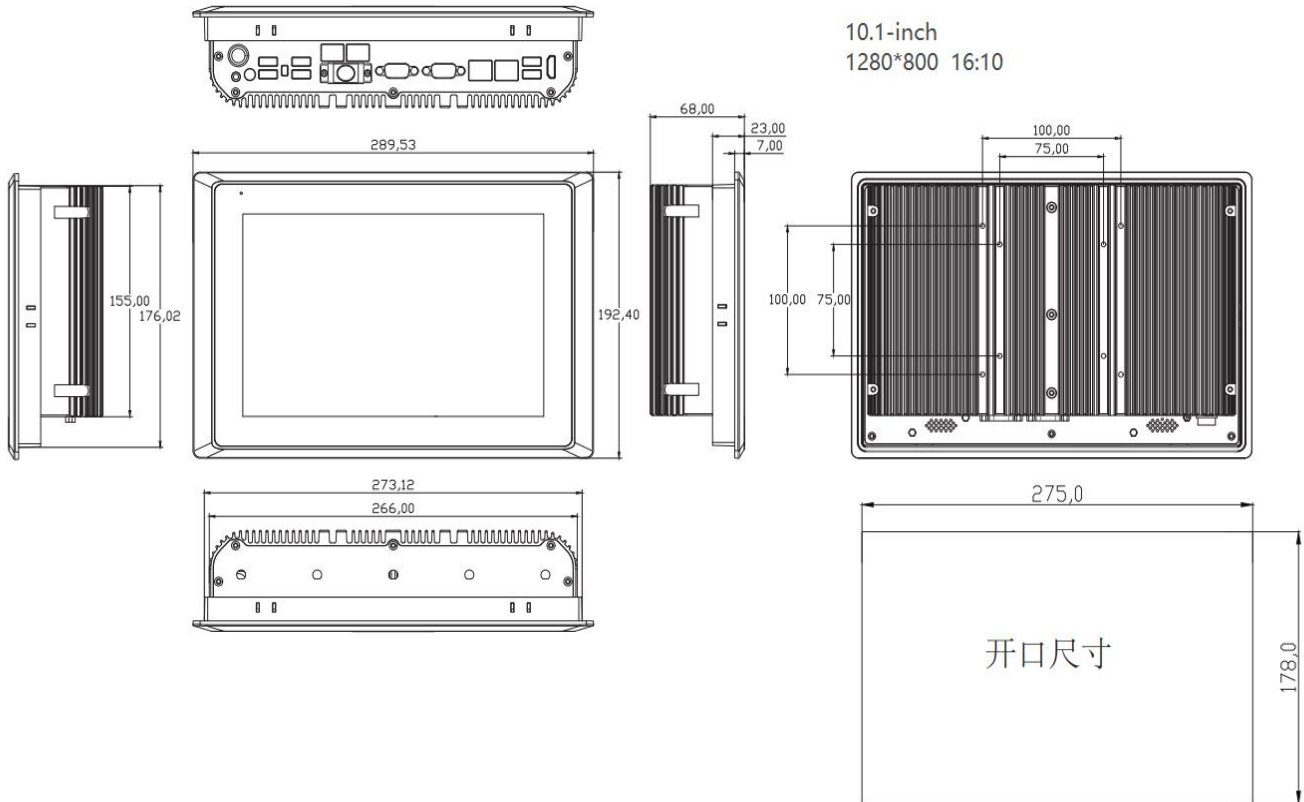
Environment	Temperature	Operating: -20 to 60°C, storage: -30 to 70°C
	Relative humidity	10%~90% @ 30° C, non-condensing

Dimension	Net weight	3kg
	Gross weight	4kg
	Product size	289.53x192.40x68.00 mm
	Packing size	405*207*376mm

I/O Interfaces	4 x USB2.0 , 2 x USB3.0 (for CPU J4125/J6412)
	2 x USB2.0 , 4 x USB3.0 (for CPU Generation 8/10/11 Intel® Core i5/i7)
	2 x DB-9 COM1&COM2,RS-232/422/485
	1 x Audio Line-out
	DC 9 ~ 36V 4-pin Aerial Plug
	1x AT/ATX switch, 4xLAN 2.5GbE RJ45 Intel i225V
	1x HDMI/Audio Line-out/ Power Button
Expansion Slot	1x WIFI/Bluetooth (Optional), 2 x 8Ω 1W Power Output (Optional)
	1x Integrated 4-way 3-wire COM, 10-way GPIO, 1 remote switch M.2 3042/3052 3G/4G/5G module, onboard SIM card slot, WiFi Bluetooth

Watchdog timer	1~255 second Programmable Setting
OS	Support Windows® 10/11, WES 10, LINUX
Mountings	Embedded mounting screws
	Wall mounting brackets; Desk stand holder (optional)
Warranty	2-year free warranty

Drawing



Sizes

8"	10.1"	12.1"	13.3"	15" 15.6"	17"	19"	21.5"
1024*768	1280*800	1024*768	1920*1080	1024*768 / 1920*1080	1280*1024	1280*1024	1920*1080
4:3	16:10	4:3	16:9	4:3 16:9	4:3	4:3	16:9

Configuration

CPU available

Intel® Celeron J4125, quad core, 2.0GHz, fanless
Intel® Core i5-8260U, qual core, 1.6Ghz, fanless
Intel® Core i5-10210U, qual core, 1.6Ghz, fanless
Intel® Core i7-8565U, dual core, 1.8Ghz, fanless
Intel® Core i7-10510U, dual core, 1.6Ghz, fanless

Accessories

- 1x Panel PC
- 1x Power adapter
- 1x Power plug cable
- 1x Embedded screws