



## Features

- 1. NEMA4/IP67 waterproof and dustproof design, all interfaces with waterproof connectors
- 2. Aluminum Alloy enclosure, more resistant to corrosion, shock and vibration
- 3. Adopting EETI solution capacitive touch or no touch + industrial-grade, high-performance
- 4. DC 12V power supply (DC24V, 9-36V Optional), support power-on boot, 7x24hours
- 5. High brightness 1500nits sunlight-readable for outdoor application

## Specification

Screen	LCD Panel	Panel size	17.3"
		Resolution	1920*1080 16:9
		Brightness (cd/m <sup>2</sup> )	1500nits, sunlight-readable
		Contrast ratio	1000:1 (Typ.)
		View Angle	80°/80°/80°/65° (R/L/U/D)
	Touch	Touch Type	10 Points Capacitive Touch
		Touch Optional	No Touch / 5 Wires Resistive Touch
		Surface Hardness	≥3H
		Touch Interface	USB
		Working Life	≥50 million times
Surface Treatment	Anti-glare/Anti-reflection Optional		
Glass Treatment	Optical Bonding Optional		

Environment	Temperature	Operating: -20 to 70°C, storage: -30 to 70°C
	Humidity	10%~90% @ 30°C, non-condensing

I/O Interfaces	1xHDMI, 1xAV, 1xDC9~36V, 1xUSB, 1xAudio, 1xSwitch from HDMI/AV OSD
Power Supply	DC12V (DC24v, 9-36v Optional)

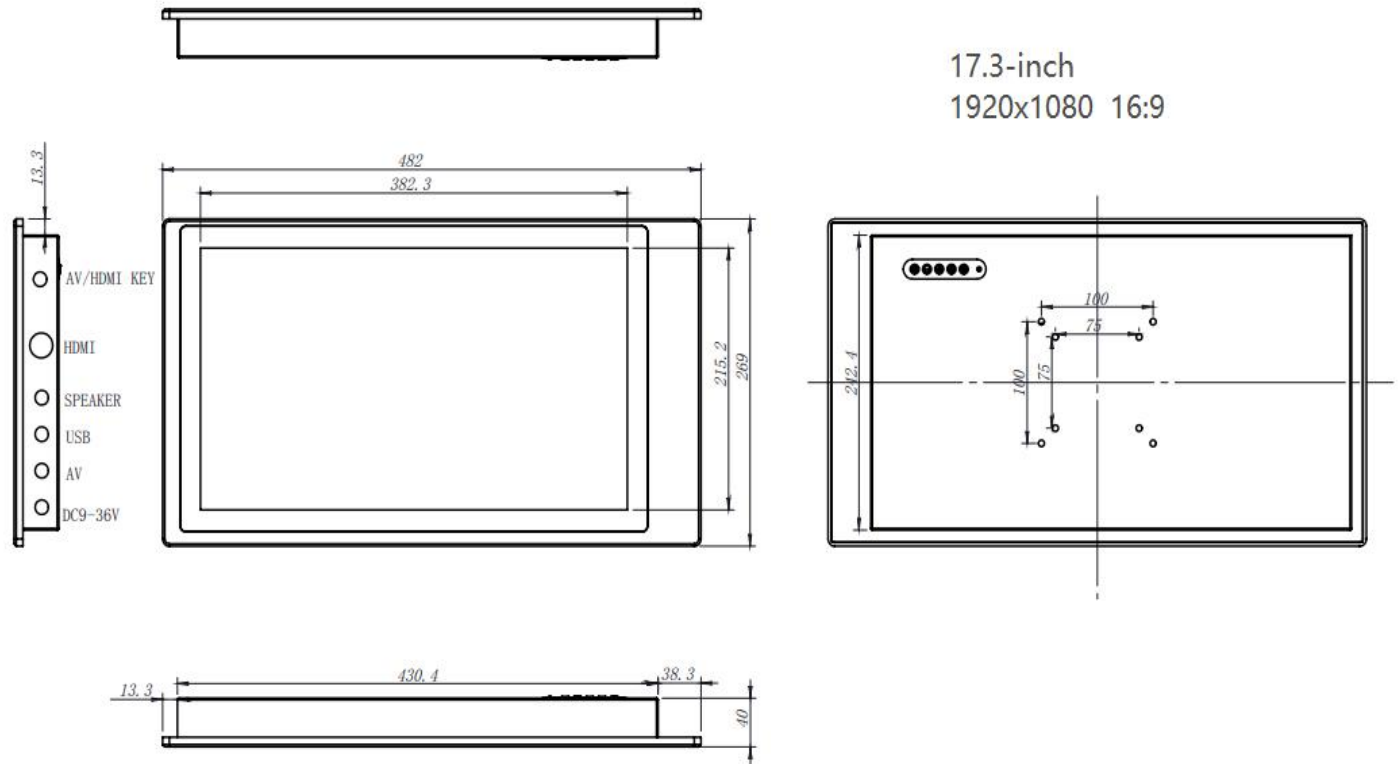
Enclosure	Material	Aluminum Alloy
	Color	Black
	VESA	75mm*75mm/100mm*100mm
	IP grade	FULL IP67 Waterproof
Dimension	Net weight	3.5kg
	Gross weight	4.5kg
	Product size	482x269x40mm
	Packing size	530*450*170mm

Packaging	1xMonitor, 1xDC Power Cable, 1xAdaptor, 1xHDMI, 1xVGA
OS	Support Windows 7/8/10, WES, Linux, Ubuntu, Debian, Android, etc.
Mountings	Desk stand holder
	Wall mounting brackets, Embedded mounting screws (optional)
Warranty	1-year free warranty

## Sizes Optional

7" 8"	10.1"	12.1"	13.3"	15"   15.6"	17"	19"	21.5"
1024*600 1024*768	1280*800	1024*768 1280*800	1920*1080	1024*768 /1920*1080	1280*1024	1280*1024	1920*1080
4:3	16:10	4:3	16:9	4:3   16:9	4:3	4:3	16:9

## Drawing



## Accessories

- 1x Monitor
- 1x HDMI Cable
- 1x Power cable
- 1x Adaptor