



Features

- 1. **1500nits** for indoor application. (**1000nits** Optional)
- 2. Adopting **EETI solution, capacitive touch**, industrial-grade, high-performance.
- 3. Dust-proof, front IP65 waterproof, and shock-proof.
- 4. DC12V power supply (DC24V, 9-36V Optional), support power-on boot, 7x24hours.
- 5. Fanless aluminum alloy shell, sturdy and durable with efficient heat dissipation system.

Specification

Mainboard	CPU	RK3288/RK3399/RK3568
	RAM	2GB/4GB
	SSD	16G/32GB/64GB

Screen	Panel size	21.5"	
	Resolution	1920*1080 16:9	
	Brightness	1500nits (cd/m²) sunlight-readable , (1000nits Optional)	
	Touchscreen	10 points Capacitive Touch	
		5 wires Resistive Touch Optional	
	Surface Hardness	G+G Glass, ≥7H	
	Touch Interface	USB	
	Working Life	≥50 million times	
	Dimmer	Auto-dimming with light sensor (Optional)	
Surface Treatment	Anti-glare / AF/ Anti-reflection (Optional)		
Glass Treatment	Optical Bonding (Optional)		

Power Supply	Working voltage	DC12V (DC24V, 9V-36V Optional)
Enclosure	Material	Aluminum Alloy
	Color	Black
	VESA mounting	75x75mm
	IP grade	Front panel IP65 waterproof
Environment	Temperature	Operating: -20°C to 70°C , storage: -30 to 70°C
	Relative humidity	10%~90% @ 30° C, non-condensing
Dimension	Net weight	7kg
	Gross weight	9kg
	Product size	537x328.5x48 mm
	Packing size	730x450x190 mm

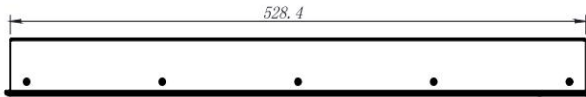
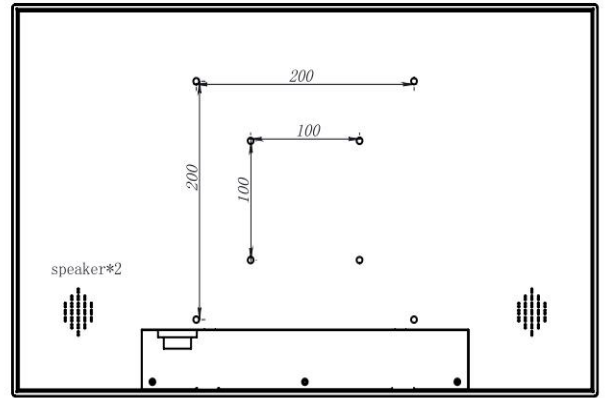
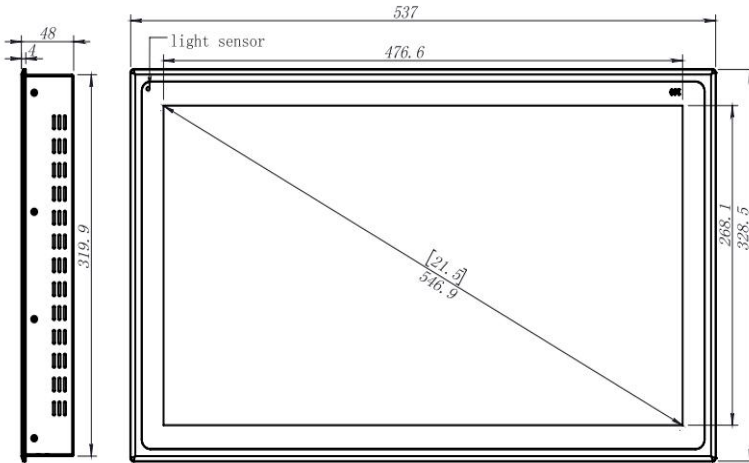
Optional Function	1xFront Camera 500W
I/O Interfaces	2xUSB, 2xCOM, 1xRJ45, 1xHDMI, 1x TF Card Slot, 1xPhoenix Terminal
OS	Support Android 7.0/9.0/11, Linux, Ubuntu, Debian, etc.
Mountings	Embedded mounting screws
	Wall mounting brackets; Desk stand holder (optional)
Warranty	1-year free warranty

Drawing



M12 connector+3pin Phoenix terminal (POWER)

21.5-inch
1920x1080 16:9



Sizes

7" 8"	10.1" 10.4"	12.1"	13.3"	15" 15.6"	17" 17.3" 18.5"	19"	21.5" 23.6" 24" 27"
1024*600 1024*768	1280*800 1024*768	280*800 1024*768	1920*1080	1024*768 / 1920*1080	1280*1024 1920*1080	1280*1024 1440*900	1920*1080
16:9 4:3	16:10 4:3	16:10 4:3	16:9	4:3 16:9	4:3 16:9	4:3 16:10	16:9

Configuration

CPU available

RK3288 Cortex-A17 quad core, 1.8GHz, fanless
RK3399 Dual Cortex-A72+Quad Cortex-A53, 2.0GHz, fanless
RK3568 Quad-core 64-bit Cortex-A55, 2.0GHz, fanless

Accessories

- 1x Panel PC
- 1x Power adapter
- 1x Power plug
- 1x Embedded screws