



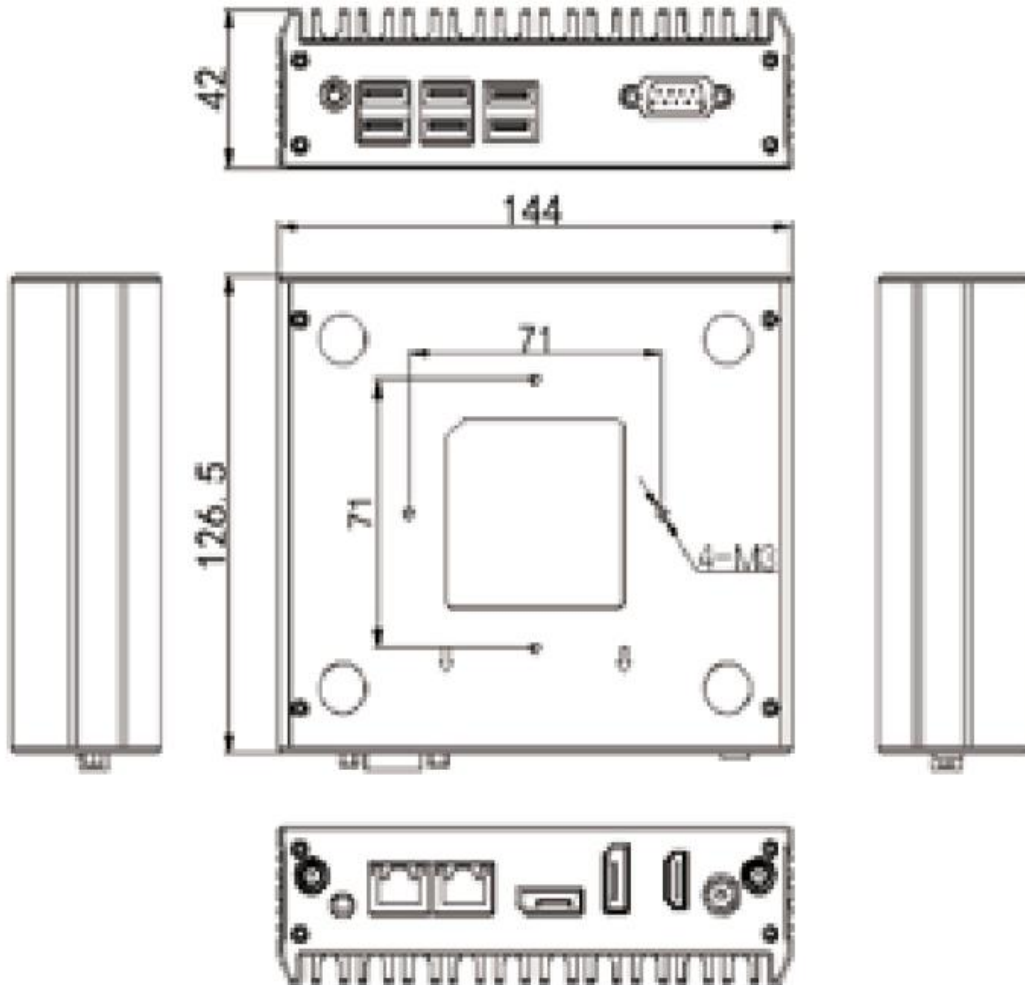
Features

- 1. All aluminum alloy structure, no fan design
- 2. Support Intel Celeron J4125 Quad-core 2.0Ghz, Fanless
- 3. Support 6xUSB, 2xLAN, 1xHDMI, 2xDP, 1xCOM, 1xSIM Slot
- 4. Support Windows 7/8/10, WES, Linux, Ubuntu, Debian, etc.
- 5. High performance mainboard, 7x24 continuous operation

Specification

Mainboard	CPU	Intel Celeron J4125 Quad-core 2.0Ghz, Fanless
	RAM	4GB/8GB
	SSD	32GB/64GB/128GB/256GB/512GB
Power Supply	Working voltage	DC12V
Enclosure	Material	Aluminum Alloy
	Color	Black
	VESA mounting	75x75mm
	IP grade	/
Environment	Temperature	Operating: -20°C to 50°C
	Relative humidity	5%~95% @ 30° C, non-condensing
Dimension	Net weight	0.8KG
	Gross weight	2KG
	Product size	144 * 126.5 * 42 mm
	Packing size	280*250*80mm
I/O Interfaces	6xUSB, 2xLAN, 1xHDMI, 2xDP, 1xCOM, 1xSIM Slot, 1xAudio 1xDC12V, 1xOn/Off, 1xWIFI/Bluetooth	
Expandable	TPM header (can support TPM 1.2 / 2.0 security module)	
OS	Support Windows 7/8/10, WES, Linux, Ubuntu, Debian, etc.	
Mountings	Wall mounting bracket	
	Desk stand holder / Rail type (optional)	
Warranty	1-year free warranty	

Drawing



Accessories

- 1x BOX PC
- 1x Wall Charger
- 1x Adaptor

Configuration

CPU available
Intel Celeron J4125 Quad-core 2.0Ghz, Fanless