



Features

- 1. 7x24 continuous operation, industrial high-end configuration.
- 2. Rubber ring design on the backside for perfectly embedded mounting.
- 3. Dust-proof, front IP65 waterproof, and shock-proof.
- 4. DC12~24V wide voltage, 2 Pin Phoenix terminal support.
- 5. Aluminum alloy, fanless, support wall mounting, desk stand, embedded mounting.

Specification

Screen	LCD Panel	Panel size	12.1"
		Resolution	1024*768 4:3
		Brightness (cd/m ²)	350nits
		Contrast ratio	800:1 (Typ.)
		View Angle	80°/80°/80°/80° (R/L/U/D)
	Touch	Touch Type	10 points Capacitive Touch
		Touch Optional	No Touch 5 wires Resistive Touch
		Surface Hardness	≥3H; or G+G Glass, ≥7H
		Touch Interface	USB
		Working Life	≥50 million times

Environment	Temperature	Operating: -10 to 60°C, storage: -20 to 70°C
	Humidity	10%~90% @ 30°C, non-condensing

I/O Interfaces	1xVGA, 1xDVI, 1xHDMI, 1x RJ for Touch, 1xDC, 1xAudio, 1xDC
Power Supply	DC12~24V
Power Consumption	≤13W

Enclosure	Material	Aluminum Alloy
	Color	Black
	VESA	75mm*75mm/100mm*100mm
	IP grade	Front IP65 Waterproof
Dimension	Net weight	2.5kg
	Gross weight	4kg
	Product size	312.3*250.8*62mm
	Packing size	430*380*180mm

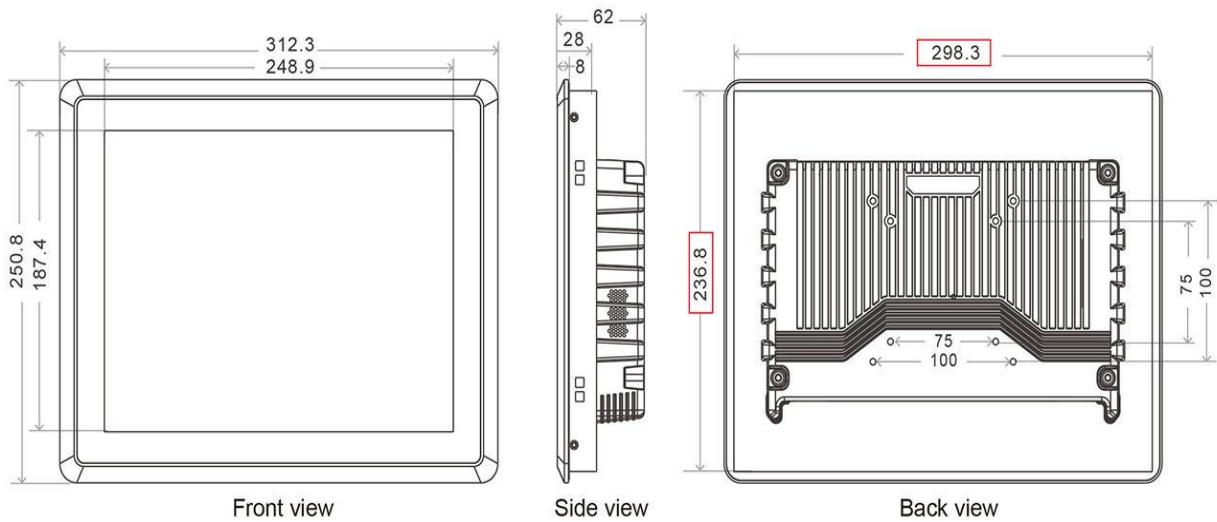
Packaging	1xMonitor, 1xDC Power Cable, 1xAdaptor, 1xUSB Cable, 1xVGA cable
OS	Support Windows 7/8/10, WES, Linux, Ubuntu, Debian, Android, etc.
Mountings	Embedded mounting screws
	Wall mounting brackets, Desk stand holder (optional)
Certificates	CE/RoHS/FCC
Warranty	1-year free warranty

Sizes Optional

7" 8"	10.1" 10.4"	11.6"	12.1"	15" 15.6"	17" 17.3"	19" 19" wide	21.5"
1024*600 1024*768	1280*800 1024*768	1920*1080	1024*768 1280*800	1024*768 /1920*1080	1280*1024	1280*1024 1440*900	1920*1080
16:9 4:3	16:10 4:3	16:9'	4:3 16:10	4:3 16:9	4:3	4:3	16:9

Drawing

12" Touch Monitor



Accessories

- 1x Monitor
- 1x USB
- 1x VGA
- 1x Power cable
- 1x Adaptor
- 2x Screws