



## Features

- 1. 7x24 continuous operation, industrial high-end configuration.
- 2. [Rubber ring design on the backside](#) for perfectly embedded mounting.
- 3. [Dust-proof, front IP65 waterproof, and shock-proof.](#)
- 4. [DC12~24V](#) wide voltage, 2 Pin Phoenix terminal support.
- 5. Aluminum alloy, fanless, support wall mounting, desk stand, embedded mounting.

## Specification

Screen	LCD Panel	Panel size	17"
		Resolution	1280*1024 5:4
		Brightness (cd/m <sup>2</sup> )	350nits
		Contrast ratio	1000:1 (Typ.)
		View Angle	80°/80°/80°/80° (R/L/U/D)
	Touch	Touch Type	10 points Capacitive Touch
		Touch Optional	No Touch 5 wires Resistive Touch
		Surface Hardness	≥3H; or G+G Glass, ≥7H
		Touch Interface	USB
		Working Life	≥50 million times

Environment	Temperature	Operating: -10 to 60°C, storage: -20 to 70°C
	Humidity	10%~90% @ 30°C, non-condensing

I/O Interfaces	1xVGA, 1xDVI, 1xHDMI, 1x RJ for Touch, 1xDC, 1xAudio, 1xDC
Power Supply	DC12~24V
Power Consumption	≤23.8W

Enclosure	Material	Aluminum Alloy
	Color	Black
	VESA	75mm*75mm/100mm*100mm
	IP grade	Front IP65 Waterproof
Dimension	Net weight	4.5kg
	Gross weight	6kg
	Product size	399.2*331.6*64.5mm
	Packing size	530*470*180mm

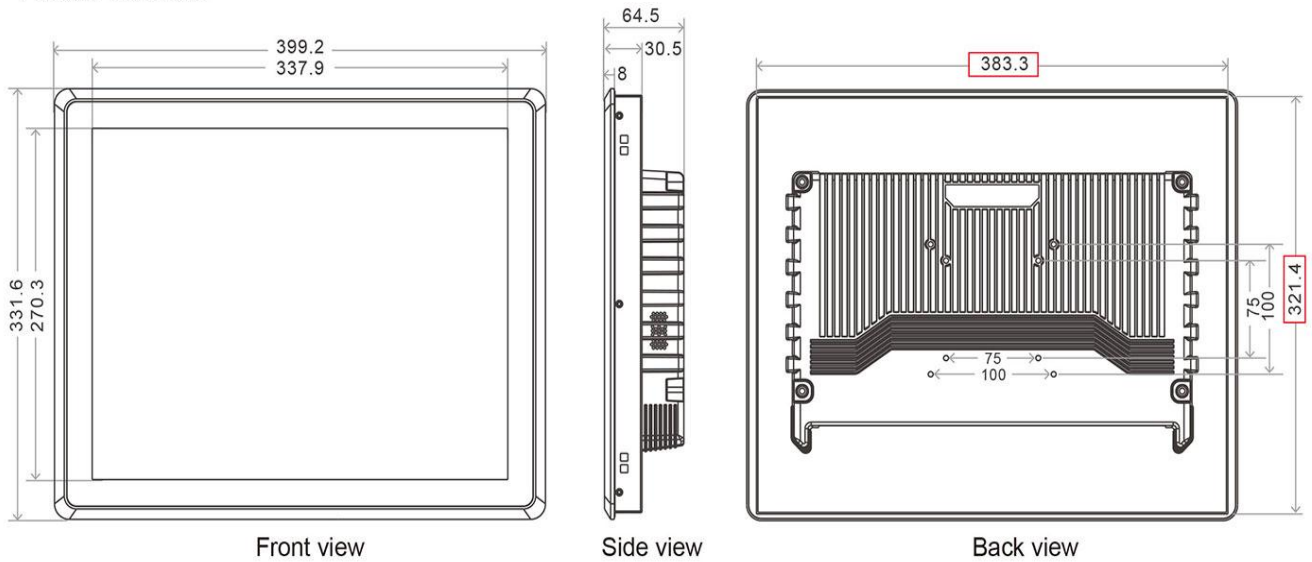
Packaging	1xMonitor, 1xDC Power Cable, 1xAdaptor, 1xUSB Cable, 1xVGA cable
OS	Support Windows 7/8/10, WES, Linux, Ubuntu, Debian, Android, etc.
Mountings	Embedded mounting screws
	Wall mounting brackets, Desk stand holder (optional)
Certificates	CE/RoHS/FCC
Warranty	1-year free warranty

## Sizes Optional

7" 8"	10.1" 10.4"	11.6"	12.1"	15"   15.6"	17" 17.3"	19" 19" wide	21.5"
1024*600 1024*768	1280*800 1024*768	1920*1080	1024*768 1280*800	1024*768 /1920*1080	1280*1024	1280*1024 1440*900	1920*1080
16:9 4:3	16:10 4:3	16:9'	4:3 16:10	4:3   16:9	4:3	4:3	16:9

## Drawing

### 17" Touch Monitor



## Accessories

- 1x Monitor
- 1x USB
- 1x VGA
- 1x Power cable
- 1x Adaptor
- 2x Screws